

.079"X.079" (2.00mmX2.00mm) Center Dual Row P.C.Board Connector



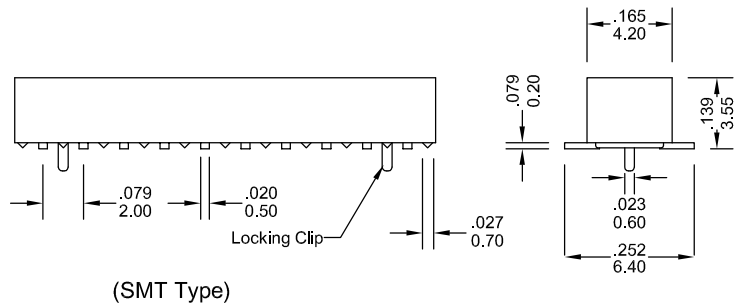
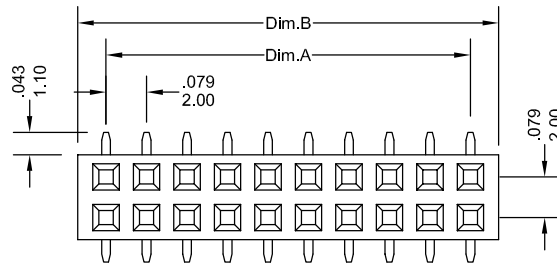
6802L Series

FEATURES:

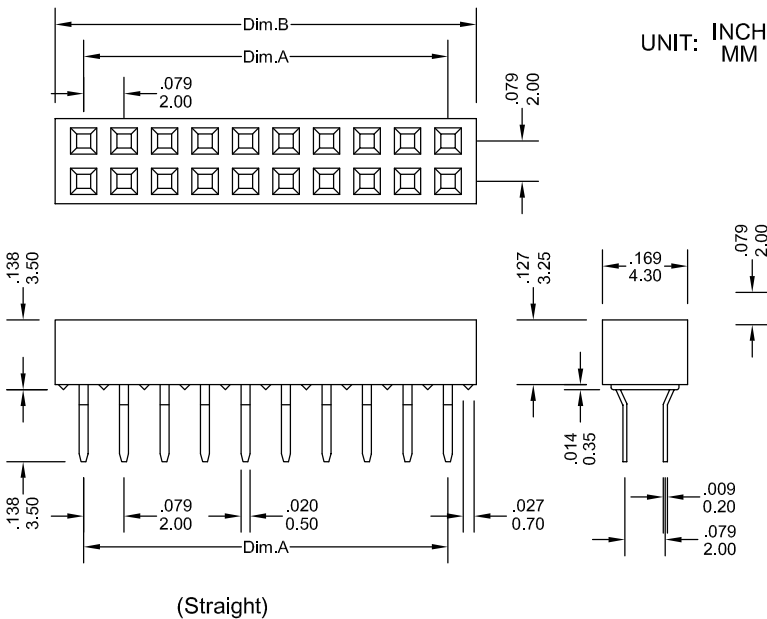
- . 4-80 Circuits
- . NYLON 46, [UL 94V-0]
- . Designed for paralld and perpendicular board stacking, also for PCB-to harness and PCB-to-chassis connection
- . Stackable side-to-side on .079"X.079" [2.00mmX2.00mm] grid
- . Mates with .0197" [0.50mm] square pins
- . Mounted on a board right angle headers, and straight headers

SPECIFICATIONS:

- . Current rating: 2A AC, DC
- . Voltage rating: 250V AC, Maximum
- . Temperatur range: -40°C ~+ 105°C
- . Contact resistance: Initial Value/10mΩ max.
After environmental testing /20mΩ max.
- . Insulation resistance: 5000 MΩ min
- . Withstand Voltage: 1500V AC/minute
- . Applicable PC board thickness: .063" [1.6mm]

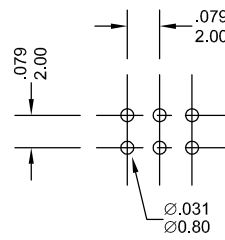


(SMT Type)

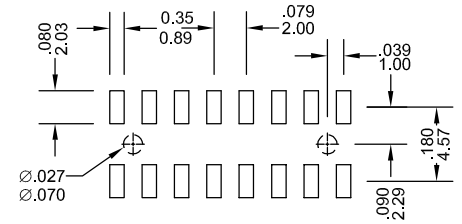


(Straight)

UNIT: INCH
MM



P.C Board layout



SMT Board layout

Ordering Information 6802L Series

Series No.	No. of Contacts	Contact Type	P.C.B Mount	Contact Plating	
6802L	- 2X07P	S	A	T	- PB
6802L Series	2X02P ~ 2X40P	S: Straight	A: Standard Type B: SMT Type C: SMT Type with Locking Clip	T: Tin G1: Gold Flash S1: Gold Flash G5: 5u" Gold S5: 5u" Gold G10: 10u" Gold S10: 10u" Gold G15: 15u" Gold S15: 15u" Gold G30: 30u" Gold S30: 30u" Gold [G: Full Gold] [S: Selective Gold]	RoHs
* PIN LENGTH CAN BE CHANGED TO CUSTOM'S SPECIFICATION					

Dimensional Information

Circuits	Dim.A± .008 0.20	Dim.B± .008 0.20	Circuits	Dim.A± .008 0.20	Dim.B± .008 0.20	Circuits	Dim.A± .008 0.20	Dim.B± .008 0.20
4	.079 2.00	.189 4.80	6	.157 4.00	.268 6.80	8	.236 6.00	.346 8.80

6802L Series

* FOR CIRCUIT SIZES 10 THROUGH 80 ADD .079" OR 2.00 MM FOR EACH ADDITIONAL PIN.