

Insulated Wirewound Resistors, moulded

Specification

Type		BW234-0	BW235-0
Style		0411	0614
Power rating P ₇₀	W	0,75 (P ₅₀ = 1,0)	1,5 (P ₂₅ = 2,0)
Resistance range	Ω	0R1 ... 1K2	0R1 ... 2K4
E-series		E 24, E 12	
Tolerance	%	± 5, ± 10	
Temperature coefficient	10 ⁻⁶ * K ⁻¹	see table page 2	
max. cont. working voltage	V _{RMS}	$\sqrt{P_{70} \cdot R}$	
Insulation voltage (1min.)	V _{RMS}	700	1000
Insulation resistance	Ω	> 10 ⁴ M	
Derating linear	°C	70 ... 175 (0W)	
Climatic category		55/175/56	
Temperature range	°C	- 55 ... 175	
Thermal resistance	KW ⁻¹	140	80
Failure rate (Total, ϑ ₀ max., 60% conf. lev.)	10 ⁻⁹ * h ⁻¹	appr. 100, depends on value	
Endurance (P ₇₀ , 70°C, 1000h)	$\left[\frac{\Delta R}{R} \right]$ %	± 5,0 average	
Damp heat, steady state (40°C, 93% r. h., 56d)	$\left[\frac{\Delta R}{R} \right]$ %	± 2,0	
Climatic sequence	$\left[\frac{\Delta R}{R} \right]$ %	± 2,0	

Series BW

Insulated Wirewound Resistors, moulded

Type		BW234-0	BW235-0
Resistance to soldering heat (260°C, 10s)	$\left[\frac{\Delta R}{R} \right]$ %	± 0,2 typ.	
Solderability	s	2,5 Flowtime, solderglobule test IEC 60068-2-20-T	
Terminal strength	$\left[\frac{\Delta R}{R} \right]$ %	± 1	
Terminal tensile strength	N	40	
Marking		DIN-IEC-colour code, 4 bands	

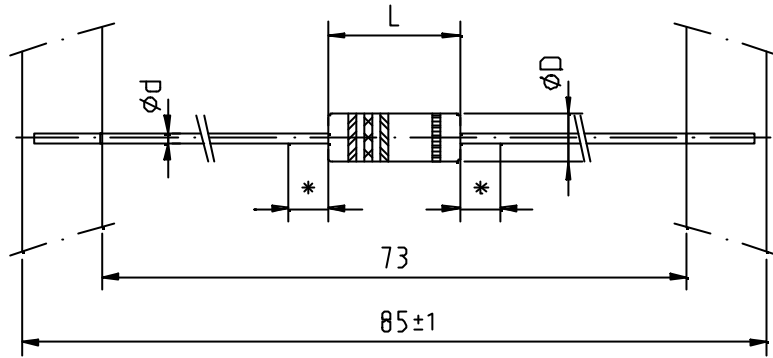
temperature coefficient

Type	resistance Value	TC *10 ⁻⁶ K ⁻¹
BW234-0	R10 ... R15	± 600
	R16 ... R62	± 300
	R68 ... 1K2	± 150
BW235-0	R10 ... R16	± 1000
	R18 ... R68	± 800
	R75 ... 2K4	± 400

Series BW

Insulated Wirewound Resistors, moulded

Dimensions in mm:



* 3mm, in diesem Bereich eingeschränkte Lötbarkeit
 3mm, reduced solderability in this area

Type	$L \pm 0,2$	$\varnothing D \pm 0,2$	$\varnothing d \pm 0,02$	Tape step
BW234-0	9,9	3,6	0,8	5
BW235-0	14,3	5,7	1,0	10

Packaging:

Type	Packaging	Pieces	Pack.-Code
BW234-0	taped/Ammopack	1000	T
BW235-0	taped/Ammopack	1000	T

Ordering example: BW 234-0 5 T 1K
 Type Tolerance Pack.-Code Value