

# DATA SHEET

## LEADED POWER RESISTORS

BWF - FUSIBLE insulated wirewound (moulded)

0.75 W - 1.5 W



Product Specification - Jun. 18, 2003 V.0



## Insulated Wirewound Resistors, moulded flame retardant, failsafe

### Specification

Type		BWF237-0	BWF236-0
Style		0411	0614
Power rating $P_{70}$	W	0,75 ( $P_{50} = 1,0$ )	1,5 ( $P_{25} = 2,0$ )
Resistance range	$\Omega$	0R1 ... 1K0	0R1 ... 1K0
E-series		E 24, E 12	
Tolerance	%	$\pm 5, \pm 10$	
Temperature coefficient	$10^{-6} * K^{-1}$	-400 ... +1000 see also page 2	
max. cont. working voltage	$V_{RMS}$	$\sqrt{P_{70} \cdot R}$	
Insulation voltage (1min.)	$V_{RMS}$	700	1000
Insulation resistance	$\Omega$	$> 10^4 M$	
Derating linear	$^{\circ}C$	70 ... 175 (0W)	
Climatic category		55/175/56	
Temperature range	$^{\circ}C$	- 55 ... 175	
Thermal resistance	$KW^{-1}$	140	80
Failure rate (Total, $\vartheta_0$ max., 60% conf. lev.)	$10^{-9} * h^{-1}$	appr. 100, depends on value	
Endurance ( $P_{70}$ , 70 $^{\circ}C$ , 1000h)	$\left[ \frac{\Delta R}{R} \right] \%$	$\pm 5,0$ average	$\pm 10,0$ average
Damp heat, steady state (40 $^{\circ}C$ , 93% r. h., 56d)	$\left[ \frac{\Delta R}{R} \right] \%$	$\pm 2,0$	
Climatic sequence	$\left[ \frac{\Delta R}{R} \right] \%$	$\pm 2,0$	

# Series BWF

## Insulated Wirewound Resistors, moulded flame retardant, failsafe

Type		BWF237-0	BWF236-0
Resistance to soldering heat (260°C, 10s)	$\left[ \frac{\Delta R}{R} \right]$ %	± 0,2 typ.	
Solderability	s	2,5 Flowtime, solderglobule test IEC 60068-2-20-T	
Terminal strength	$\left[ \frac{\Delta R}{R} \right]$ %	± 1	
Terminal tensile strength	N	40	
Marking		DIN-IEC-colourcode, 5 bands (5th band (blue) for failsafe version)	

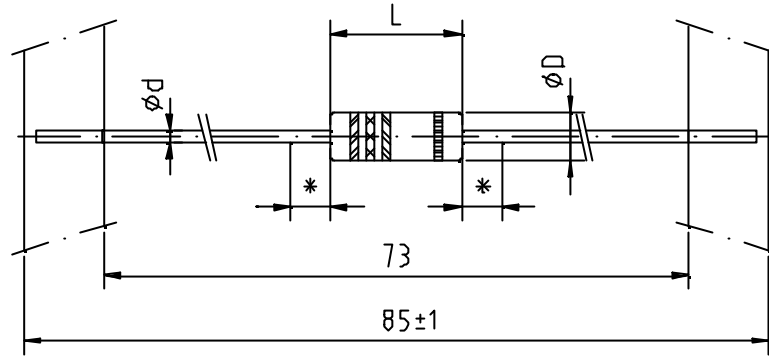
### Temperature coefficient

Type	Value	TC
BWF237-0	R10	± 1000
	R11 ... R18	± 600
	R30 ... R68	± 300
	R75 ... 1K0	± 150
BWF236-0	R10	± 1800
	R11 ... R16	± 1000
	R18 ... R68	± 800
	R75 ... 1K0	± 400

# Series BWF

Insulated Wirewound Resistors, moulded  
flame retardant, failsafe

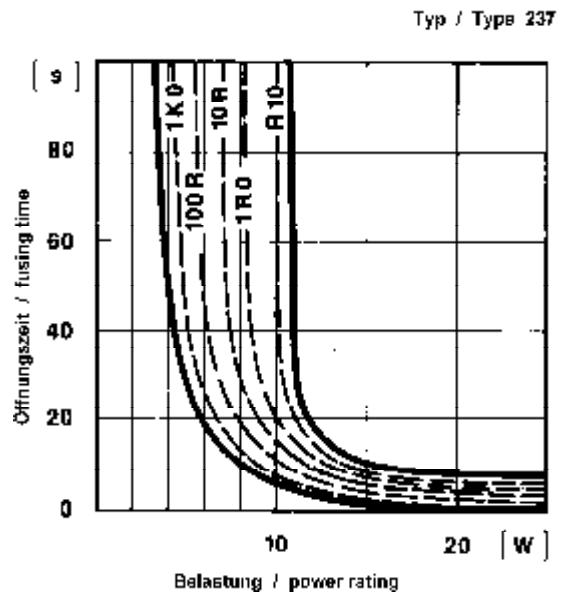
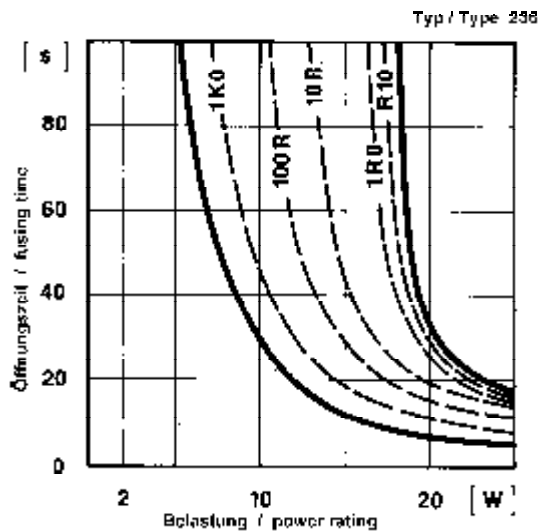
Dimensions in mm:



\* 3mm, in diesem Bereich eingeschränkte Lötbarkeit  
3mm, reduced solderability in this area

Type	L±0,2	øD±0,2	ød±0,02	Tape step
BWF237-0	9,9	3,6	0,8	5
BWF236-0	14,3	5,7	1,0	10

Fusing characteristic:



# Series BWF

**Insulated Wirewound Resistors, moulded  
flame retardant, failsafe**



Packaging:

Type	Packaging	Pieces	Pack.-Code
BWF236-0	taped/Ammopack	1000	T
BWF237-0	taped/Ammopack	1000	T

Ordering example:

BWF 237-0	5	T	1K0
Type	Tolerance	Pack.-Code	R-Value