

# DATA SHEET

## LEADED POWER RESISTORS

BWL0614 – MOULDED current sensors

1.5 W



Product Specification – Jun. 18, 2003 V.0



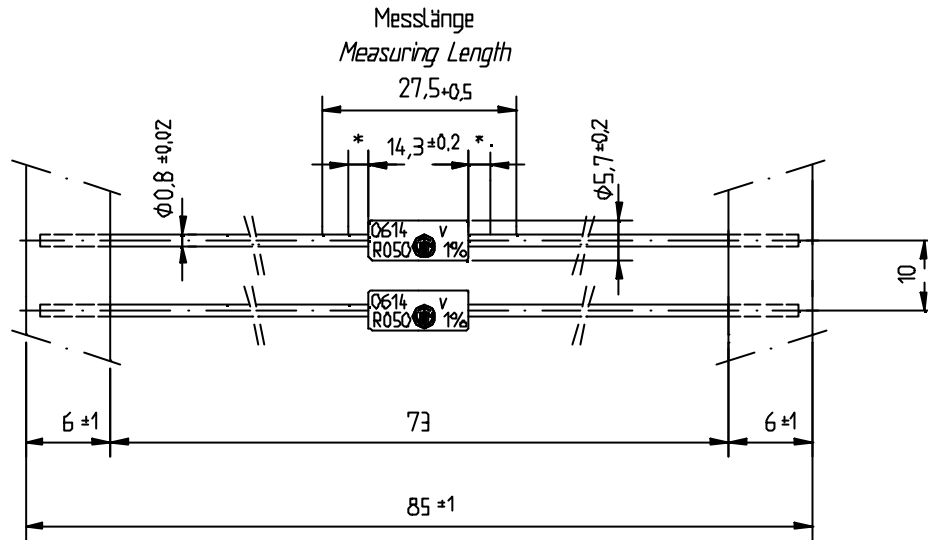
**Specification**

Type		BWL 0614
Style		0614
Power rating $P_{70}$	W	1,5
Resistance range	$\Omega$	0R005, 0R01, 0R015, 0R022, 0R033, 0R047, 0R062
E-series		E 12
Tolerance	%	$\pm 1, \pm 5$
Temperature coefficient	$10^{-6} * K^{-1}$	< 200 (depends on value)
max. cont. working voltage	$V_{RMS}$	$\sqrt{P_{70} \cdot R}$
Insulation voltage (1min.)	$V_{RMS}$	1000
Insulation resistance	$\Omega$	> $10^4 M$
Derating linear	$^{\circ}C$	70 ... 175 (0W)
Climatic category		55/175/56
Temperature range	$^{\circ}C$	-55 ... 175
Thermal resistance	$KW^{-1}$	74 (average)
Endurance ( $P_{70}$ , 1000h)	$\left[ \frac{\Delta R}{R} \right]$ %	$\leq 0,5$
Damp heat, steady state (40 $^{\circ}C$ , 93% r.h., 56d)	$\left[ \frac{\Delta R}{R} \right]$ %	$\leq 0,5$
Climatic sequence	$\left[ \frac{\Delta R}{R} \right]$ %	$\leq 1,0$
Resistance to soldering heat (260 $^{\circ}C$ , 10s)	$\left[ \frac{\Delta R}{R} \right]$ %	$\leq 0,2$ typ.
Solderability	S	2,5, Flowtime, solderglobule test, IEC 60068-2-20-T
Terminal strength	$\left[ \frac{\Delta R}{R} \right]$ %	$\pm 1,0$
Terminal tensile strength	N	40
Marking		printed in clear

# Series BWL

## Low Ohmic Power resistor

Dimensions in mm:



- \* 3mm, eingeschränkte Lotbarkeit
- \* 3mm, reduced solderability in this area

Packaging:

Type	Packaging	Pieces	Pack.-Code
BWL 0614	taped/Ammopack	1000pcs.	T

Ordering example:

BWL 0614      5      T      0R01  
 Type      Tolerance      Pack.-Code      R-Value