

DATA SHEET

LEADED POWER RESISTORS

KC – General purpose wirewound

1.2 W AND 3.0 W



Product Specification – Jun. 18, 2003 V.0



Power Wirewound Resistor
axial, coated, fibre glass core

Specification

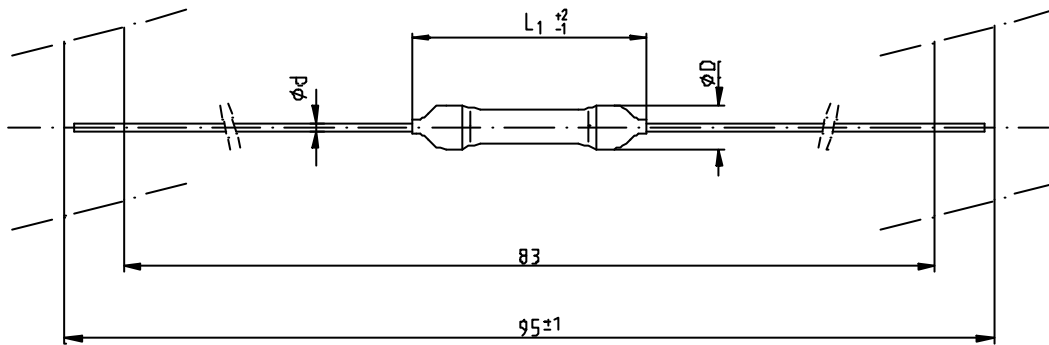
Type		KC200-0	KC202-0
Style		0416	0424
Power rating P_{70}	W	1,0	2,0
Resistance range	Ω	0R056 ... 9K1	0R075 ... 20K
E-series		E 24 (5%), E 12 (10%)	
Tolerance	%	± 10 ; $R \geq R10 \pm 5\%$	
Temperature coefficient	$10^{-6} * K^{-1}$	- 80 ... + 500	
max. cont. working voltage	V_{RMS}	$\sqrt{P_{70} \cdot R}$	
Insulation voltage (1min.)	V_{RMS}	max. 75	
Insulation resistance	Ω	not insulated	
Derating linear	$^{\circ}C$	70 ... 350 (0W)	
Climatic category		55/200/56	
Temperature range	$^{\circ}C$	- 55 ... 350	
Thermal resistance	KW^{-1}	200	125
Failure rate (Total, ϑ_0 max., 60% conf. lev.)	$10^{-9} * h^{-1}$	appr. 100 depends on value	
Endurance (P_{70} , 70 $^{\circ}C$, 1000h)	$\left[\frac{\Delta R}{R} \right]$ %	$\pm 3,0$ average	
Damp heat, steady state (40 $^{\circ}C$, 93% r. h., 56d)	$\left[\frac{\Delta R}{R} \right]$ %	$\pm 2,0$	
Climatic sequence	$\left[\frac{\Delta R}{R} \right]$ %	$\pm 2,0$	
Terminal strength	$\left[\frac{\Delta R}{R} \right]$ %	$\pm 1,0$	
Terminal tensile strength	N	50	

Series KC

Power Wirewound Resistor axial, coated, fibre glass core

Type		KC200-0	KC202-0
Resistance to soldering heat (260°C, 10s)	$\left[\frac{\Delta R}{R} \right] \%$	± 0,2 typ.	
Solderability	s	2,5 Flowtime, solderglobule test, IEC 60068-2-20-T	
Marking		printed in clear	

Dimensions in mm:



Typ	L_1	ϕD	ϕd
KC200-0	16	$4,5 \pm 0,5$	$0,8 \pm 0,02$
KC202-0	24	$4,5 \pm 0,5$	$0,8 \pm 0,02$

Packaging:

Type	Packaging	Pieces	Pack.-Code
KC200-0	taped/Ammopack	1000pcs.	T
KC202-0	taped/Ammopack	1000pcs.	T

Ordering example: KC 200-0 5 T 1R0
 Type Tolerance Pack.-Code Value