

DATA SHEET

LEADED POWER RESISTORS

KWA – Power, AMP contacts, wirewound

15 W – 40 W



Product Specification – Jun. 18, 2003 V.0

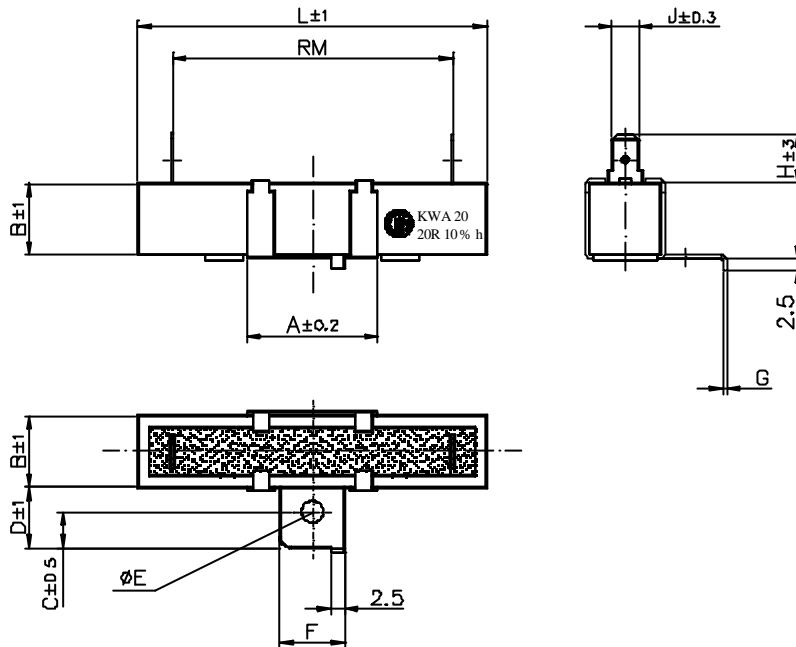


**Power Wirewound resistor
 Ceramic Case, AMP contacts**
Specification

Type		KWA 15	KWA 20	KWA 30	KWA 40
Style		1348	1364	1975	1990
Tolerance	%	± 5, ± 10	± 5, ± 10	± 5, ± 10	± 5, ± 10
Power rating P ₇₀	W	15	20	30	40
Resistance range	Ω	5R1 ... 1K5	5R1 ... 2K4	6R2 ... 3K0	6R2 ... 3K6
E-series				E 24	
Temperature coefficient	ppm K ⁻¹			± 250	
max. cont. working voltage	V _{RMS}			$\sqrt{P \cdot R}$	
Derating				linear 70 ... 350°C (0W)	
Climatic category				55/200/21	
Temperature range	°C			-55 ... 350	
Insulation voltage	V			2000	
Insulation resistance	Ω			> 10M	
Endurance (P ₇₀ , @ 70°C, 1000h, interm.)	$\left[\frac{\Delta R}{R} \right]$ %			± 5,0	
Damp heat, steady state (40°C, 93% r.F., 56d)	$\left[\frac{\Delta R}{R} \right]$ %			± 5,0	
Resistance to sold. heat (360°C, 3,5s)	$\left[\frac{\Delta R}{R} \right]$ %			± 1,0	
solderability	s			2,5 Flowtime, solderglobule test (IEC 60068-2-20, T)	
Marking				printed in clear	

**Power Wirewound resistor
 Ceramic Case, AMP contacts**

Dimensions in mm:



Type	$L \pm 1$	RM	$B \pm 1$	$A \pm 1$	$C \pm 0,5$	$D \pm 1$	E	$F \pm 0,2$	G	$H \pm 3$	$J \pm 0,3$
KWA15	48,0	33,5	13	25	6	12,5	4	12	0,6	9	4,8
KWA20	63,5	48,0	13	25	6	12,5	4	12	0,6	9	4,8
KWA30	75,0	56,0	19	40	8	18,0	4,2	18	0,8	12	6,4
KWA40	90,0	71,0	19	40	8	18,0	4,2	18	0,8	12	6,4

Packaging:

Type	Packaging	Pieces	Pack.-code
KWA 15	bulk	70	B
KWA 20	bulk	60	B
KWA 30	bulk	14	B
KWA 40	bulk	14	B

Ordering example: KWA 40 5 B 3K6
 Type Tolerance Pack.-Code R-Value