

# DATA SHEET

## LEADED POWER RESISTORS

KWP – Stand off, cemented wirewound

UP TO 20.0 W



Product Specification – Jun. 18, 2003 V.0



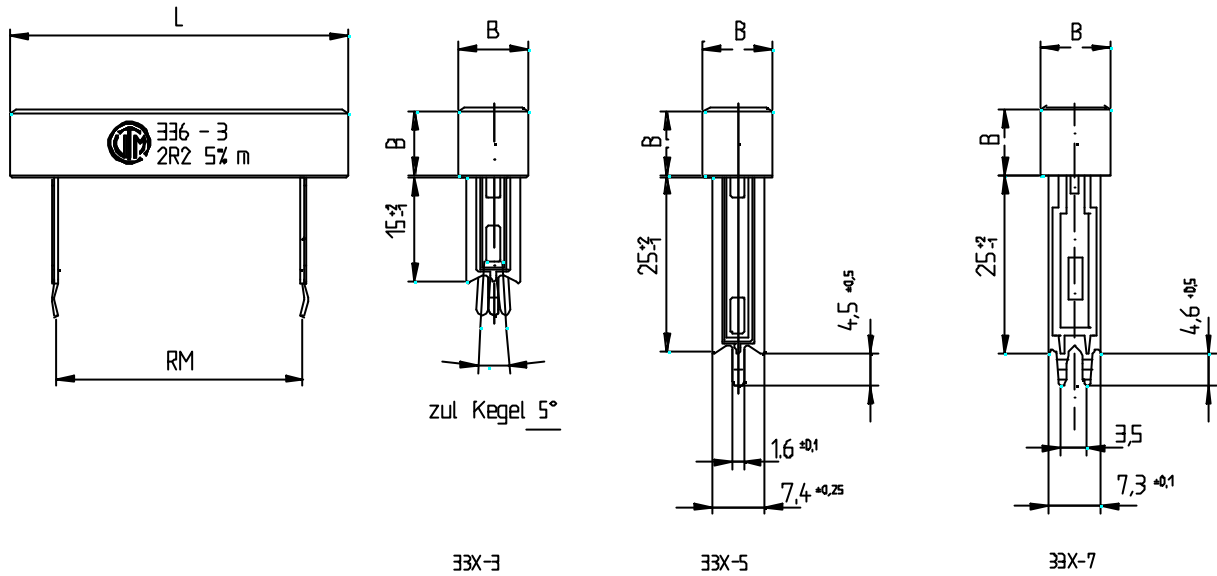
### Specification

Type		KWP 330-3/5/7	KWP 332-3/5/7	KWP 333-3/5/7	KWP 335-3/5/7	KWP 336-3/5/7	KWP 337-3/5/7	KWP 338-3/5/7
Power rating	$P_{25}$ $P_{70}$	W 3,0 2,0	5,0 2,5	7,0 3,0	9,0 4,5	10,0 4,5	15,0 5,5	20,0 8,0
Resistance range	$\Omega$	0R2... 7K5	0R3... 11K	0R43... 16K	0R56... 22K	0R68... 27K	0R62... 24K	0R91... 36K
E-series		E 24 (5%), E 12 (10%)						
Tolerance	%	$\pm 5, \pm 10$						
Temperature coefficient	$10^{-6} * K^{-1}$	- 80 ... + 500 depends on value						
max. cont. working voltage	$V_{RMS}$	$\sqrt{P_{70} \cdot R}$ for all styles						
Insulation voltage (1min.)	$V_{RMS}$	2000						
Insulation resistance	$\Omega$	$> 10^4 M$						
Derating	$^{\circ}C$	linear 70 ... 275 (0W)						
Climatic category		55/200/56						
Temperature range	$^{\circ}C$	- 55 ... 275						
Thermal resistance	$KW^{-1}$	37	35	35	35	30	20	15
Failure rate (Total, $\vartheta_0$ max., 60% conf. lev.)	$10^{-9} * h^{-1}$	ca. 100 depends on value						
Endurance ( $P_{70}$ , 1000h)	$\left[ \frac{\Delta R}{R} \right] \%$	$\pm 3,0$ average						
Damp heat, steady state (40 $^{\circ}C$ , 93% r. h., 56d)	$\left[ \frac{\Delta R}{R} \right] \%$	$\pm 2,0$						
Resistance to soldering heat (260 $^{\circ}C$ , 10s)	$\left[ \frac{\Delta R}{R} \right] \%$	$\pm 0,5$						
solderability		2s Flowtime, solder globule test, IEC 60068-2-20T						
Marking		printed in clear						

# Series KWP

## Power Wirewound Resistors ceramic case , radial

Dimensions in mm:



Type	L	B	RM
KWP330-3/5/7	23	10	10
kWP332-3/5/7	28	10	15
KWP333-3/5/7	35,5	10	22,5
KWP335-3/5/7	43	10	30
KWP336-3/5/7	48	10	35
KWP337-3/5/7	50	13	32,5
KWP338-3/5/7	65	13	47,5

# Series KWP

## Power Wirewound Resistors ceramic case , radial

Packaging:

Type	Packaging	Pieces	Pack.-Code
KWP330-3/5/7	lose	144	B
KWP331-3/5/7	lose	100	B
KWP332-5	lose	128	B
KWP333-3	lose	120	B
KWP333-7	lose	100	B
KWP335-3/5	lose	150	B
KWP336-3/5/7	lose	80	B
KWP337-3/5/7	lose	128	B
KWP338-3	lose	100	B
KWP338-5	lose	50	B

Ordering example:      KWP 333-3      5      B      0R43  
                                 Type      Tolerance      Pack.-Code      R-Value