

DATA SHEET

LEADED POWER RESISTORS

KWV – RADIAL wirewound

UP TO 10.0 W



Product Specification – Jun. 18, 2003 V.0



Power Wirewound Resistors
ceramic case, vertical

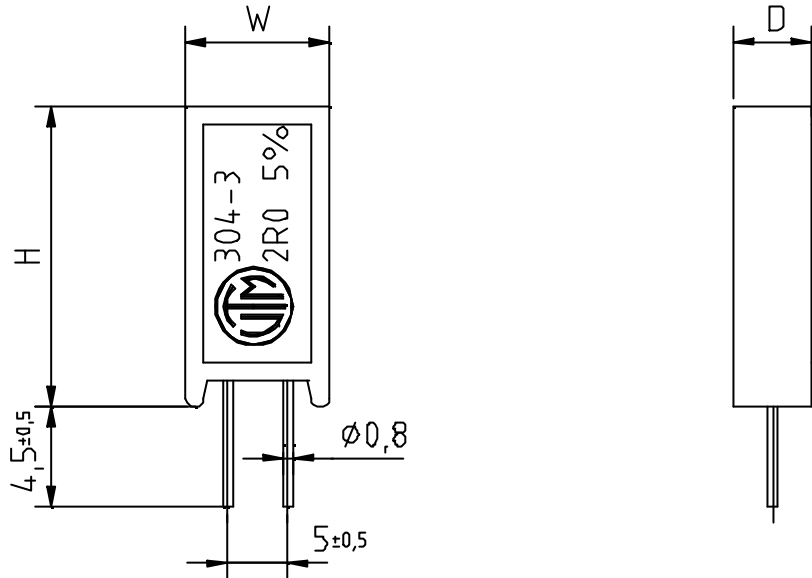
Specification

Type		KWV302-3	KWV304-3	KWV306-3	KWV308-3	KWV310-3
Power rating P_{70}	W	2	3	5	7	10
Resistance range	Ω	0R2...910R	0R2...4K7	0R2...4K7	0R33...10K	0R47...16K
E-series		E 12	E 24	E 24	E 24	E 24
Tolerance	%	± 10	± 5	± 5	± 5	± 5
Temperature coefficient	$10^{-6} * K^{-1}$	- 80 ... + 500 (depends on value)				
max. cont. working voltage		$\sqrt{P_{70} \cdot R}$ for all styles				
Insulation voltage (1min.)	V_{RMS}	2000				
Insulation resistance	Ω	$> 10^4 M$				
Derating linear	$^{\circ}C$	70 ... 275 (0W)				
Climatic category		55/200/21				
Temperature range	$^{\circ}C$	- 55 ... 275				
Thermal resistance	KW^{-1}	100	68	40	30	20
Failure rate (Total, ϑ_0 max., 60% conf. lev.)	$10^{-9} * h^{-1}$	appr. 100, depends on value				
Endurance (P_{70} , 70 $^{\circ}C$, 1000h)	$\left[\frac{\Delta R}{R} \right]$ %	$\pm 3,0$				
Damp heat, steady state (40 $^{\circ}C$, 93% r. h., 56d)	$\left[\frac{\Delta R}{R} \right]$ %	$\pm 2,0$				
Climatic sequence	$\left[\frac{\Delta R}{R} \right]$ %	$\pm 2,0$				
Resistance to soldering heat (260 $^{\circ}C$, 10s)	$\left[\frac{\Delta R}{R} \right]$ %	$\pm 0,5$				
Terminal strength	$\left[\frac{\Delta R}{R} \right]$ %	$\pm 2,0$				
Solderability	s	2,5 Flowtime, solderglobule test, IEC 60068-2-20T				
Marking		Printed in clear				

Series KWV

Power Wirewound Resistors ceramic case, vertical

Dimensions in mm:



Type	H ±1	W ±1	D ±1
KWV302-3	20,5	11	7
KWV304-3	25	12	8
KWV306-3	26	13	9
KWV308-3	39	13	9,5
KWV310-3	51	13	9,5

Packaging:

Type	Packaging	Pieces	Pack.-Code
KWV302-3	bulk	250	B
KWV304-3	bulk	204	B
KWV306-3	bulk	176	B
KWV308-3	bulk	108	B
KWV310-3	bulk	120	B

Ordering example: KWV304-3 5 B 100R
Type Tolerance Pack.-Code Value