

DC AXIAL FAN

JAMICON®

80X80X15 mm

JF0815-03 Series

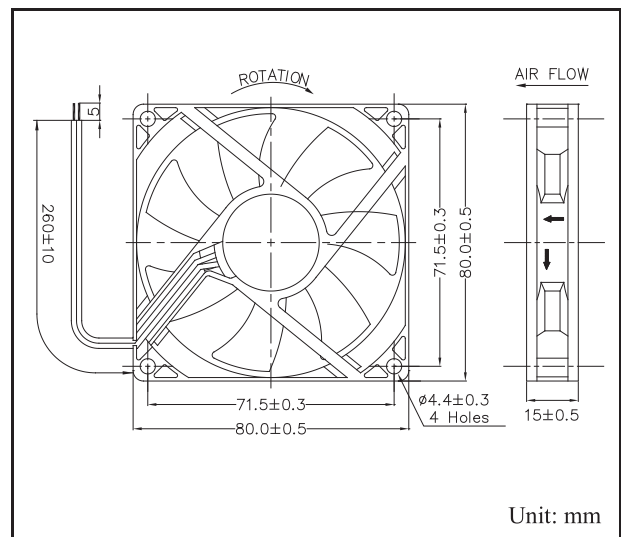
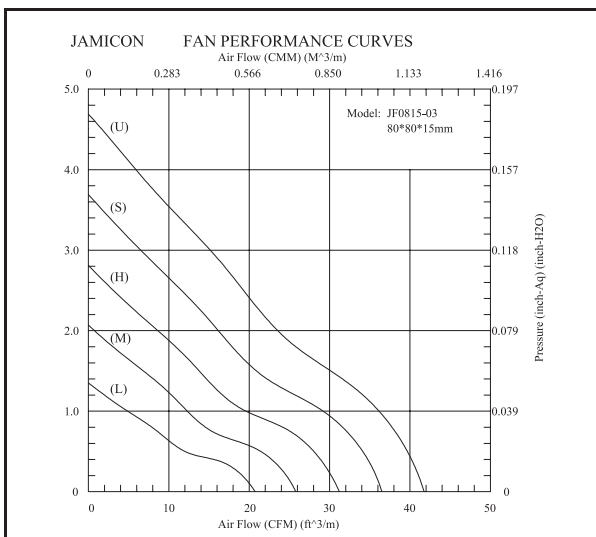


- **Frame** : Plastic Material UL 94V-0
- **Impeller** : Plastic Material UL 94V-0
- **Speed Range** : ±10%

SPECIFICATIONS											
Model	Bearing	Rated Voltage (V)	Operating Voltage (V)	Air Flow (CFM)	Static Pressure (inchH ₂ O)	Speed (R.P.M.)	Input Current (Amp)	Input Power (Watt)	Nominal Current (Amp)	Noise (dBA)	Weight (g)
JF0815-1UR	B, H	12	10.2 ~ 13.8	41.75	0.185	4000	0.31	3.72	0.34	38.0	49
JF0815-1SR	B, H, S			36.50	0.145	3500	0.20	2.40	0.22	35.2	
JF0815-1H	B, H, S			31.22	0.111	3000	0.15	1.80	0.17	30.3	
JF0815-1M	B, H, S			25.79	0.081	2500	0.10	1.20	0.11	25.6	
JF0815-1L	B, H, S			20.73	0.053	2000	0.05	0.60	0.06	21.6	
JF0815-2UR	B, H	24	20.4 ~ 27.6	41.75	0.185	4000	0.15	3.60	0.17	38.0	
JF0815-2SR	B, H			36.50	0.145	3500	0.11	2.64	0.14	35.2	
JF0815-2H	B, H, S			31.22	0.111	3000	0.09	2.16	0.10	30.3	
JF0815-2M	B, H, S			25.79	0.081	2500	0.06	1.44	0.07	25.6	
JF0815-2L	B, H, S			20.73	0.053	2000	0.05	1.20	0.06	21.6	

Specifications subject to change without notice

The 7TH character of Model No means the bearing code. Please refer to the page "PART NUMBER SYSTEM". Please contact us for detail if your request bearing system is not shown in the above list.



Unit: mm