

# DC AXIAL FAN

JAMICON®

120X120X25 mm

KF1225-02 Series

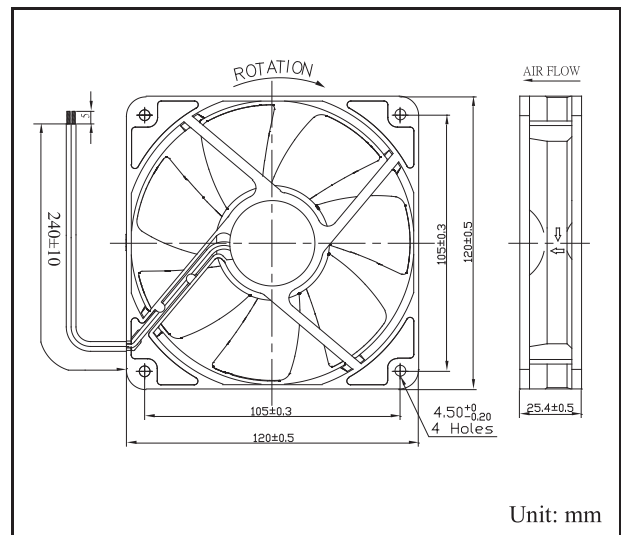
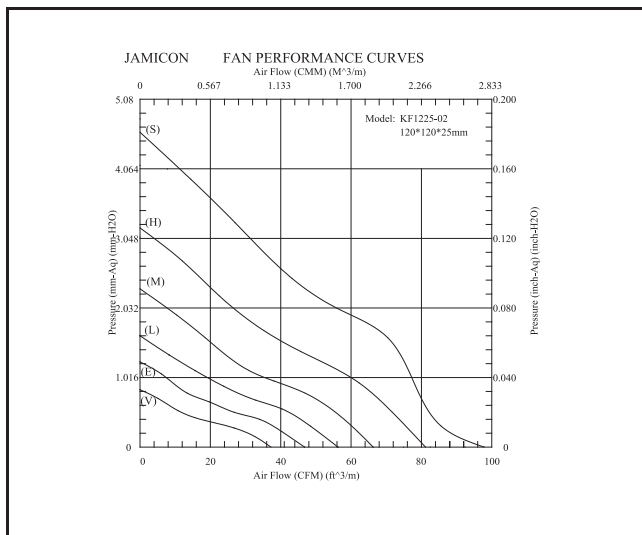


- **Frame** : Plastic Material UL 94V-0
- **Impeller** : Plastic Material UL 94V-0
- **Speed Range** : ±10%

SPECIFICATIONS											
Model	Bearing	Rated Voltage (V)	Operating Voltage (V)	Air Flow (CFM)	Static Pressure (inchH <sub>2</sub> O)	Speed (R.P.M.)	Input Current (Amp)	Input Power (Watt)	Nominal Current (Amp)	Noise (dBA)	Weight (g)
KF1225B1SR	Dual Ball	12	10.2 ~ 13.8	97.83	0.181	2600	0.30	3.60	0.35	40.8	135
KF1225-1HR	B, H, S			81.17	0.126	2200	0.30	3.60	0.35	36.8	
KF1225-1M				66.28	0.091	1800	0.19	2.28	0.20	30.5	
KF1225-1L				56.29	0.064	1500	0.13	1.56	0.14	27.2	
KF1225-1E				46.79	0.049	1200	0.07	0.84	0.09	22.8	
KF1225-1V				37.23	0.033	1000	0.06	0.72	0.07	21.4	
KF1225B2SR	Dual Ball	24	20.4~27.6	97.83	0.181	2600	0.20	4.80	0.20	40.8	
KF1225-2HR	B, H, S			81.17	0.126	2200	0.18	4.32	0.20	36.8	
KF1225-2M				66.28	0.091	1800	0.12	2.88	0.13	30.5	
KF1225-2L				56.29	0.064	1500	0.08	1.92	0.09	27.2	

Specifications subject to change without notice

The 7<sup>TH</sup> character of Model No means the bearing code. Please refer to the page "PART NUMBER SYSTEM". Please contact us for detail if your request bearing system is not shown in the above list.



Unit: mm