



SUP-EV SERIES

NOISE FILTERS



Features

- Uses wiring-easy terminal block.
- General purpose model made with ferrite core.
- Wide range lineup (5 to 30A).
- Bleeder resistor for electric shock protection.

Applications

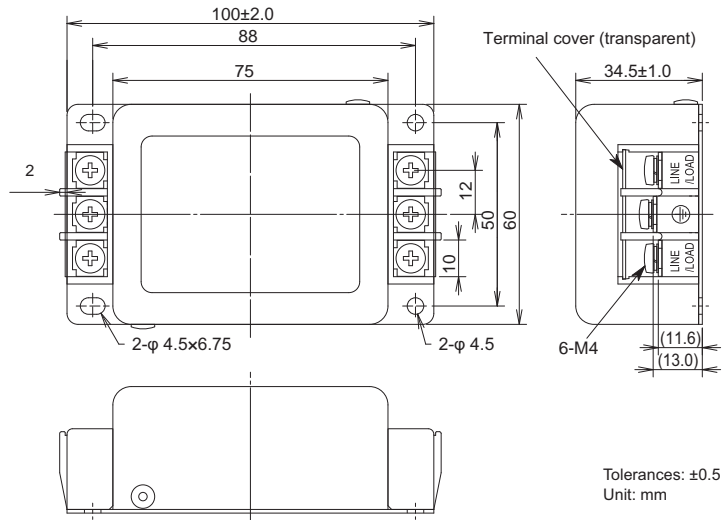
- Information processing devices, Office appliances, and Various control systems (elevators).



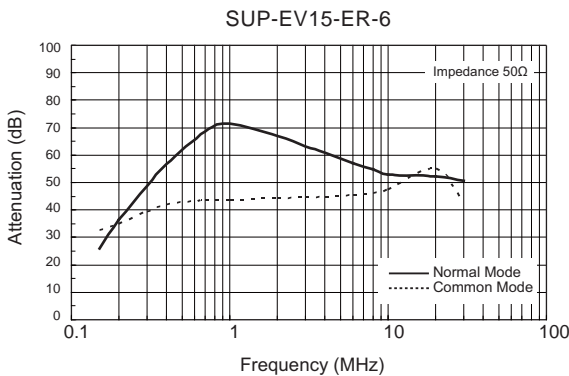
Safety Standard		File No.
UL	:UL1283	E78644
cUL	:C22.2, No.8-M1986	
SEMKO	:EN60939	SE/0142-12

The "ENEC" mark is a common European product certification mark based on testing to harmonised European safety standard.

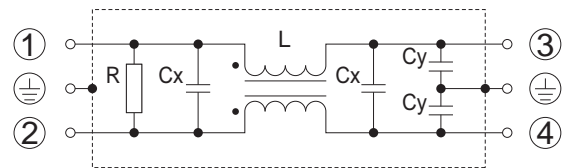
• Dimensions (5~30A)



• Static characteristics



• Circuit (5 ~ 30A)



Electrical Specifications

Rated Voltage **250Vac**

Safety Standard	Model Number	Rated Current (A)	Test Voltage	Insulation Resistance	Leakage Current max.	Voltage Drop max.	Temperature Rise max.	Operating Temperature (°C)	Insertion losses		Weight typ.(g)
									Normal Mode (MHz)	Common Mode (MHz)	
	SUP-EV5-ER-6	5	Line to Case 2,500Vac 50/60Hz 60sec	Line to Case 100MΩmin (at 500Vdc)	1mA (at 250Vac 60Hz)	1.0Vac	45K	-25 ~ +50 (100°C with Temp. rise)	0.3 ~ 20	0.15 ~ 20	300
	SUP-EV10-ER-6	10							0.3 ~ 20	0.2 ~ 20	
	SUP-EV15-ER-6	15							0.5 ~ 20	0.5 ~ 20	
	SUP-EV20-ER-6	20							0.5 ~ 20	0.5 ~ 20	
	SUP-EV30-ER-6	30							0.6 ~ 20	*1.0 ~ 20	

Guaranteed attenuation is more than 35dB in normal and 25dB (*more than 20dB) in common mode. Available leakage current 70μA max.(250Vac, 60Hz) type for medical equipments and low leakage current equipments.